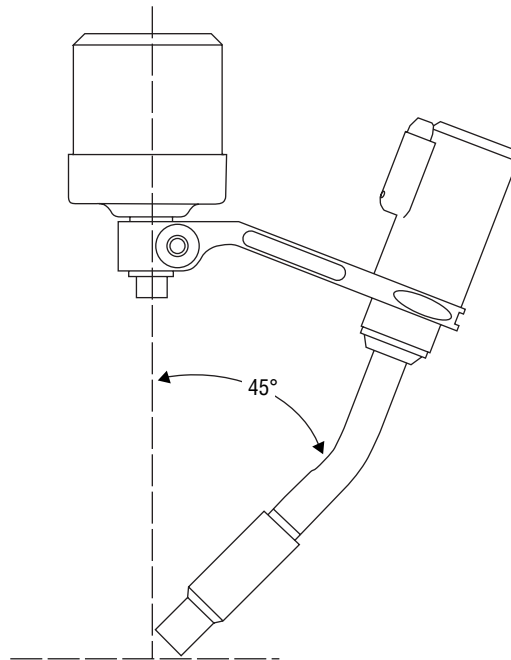


RDM Light Weight Mount Arms

- Fixed light weight mount arm, designed for the Quick Robotic Light Weight Torch.
- RDM mount arms are machined from solid aluminum alloy to provide precision and accuracy.
- Four “fixed” configurations to choose from: RDML-A-180, RDML-A-180L, RDML-A-22, RDML-A-22L.



Light Weight Mount Arms

Part No.	Stock No.	Description
RDML-A-180	3500-1460	180° RDM Light Weight Mount Arm
RDML-A-180L	3500-1461	180° (Long) RDM Light Weight Mount Arm
RDML-A-22	3500-1462	22° RDM Light Weight Mount Arm
RDML-A-22L	3500-1463	22° (Long) RDM Light Weight Mount Arm