

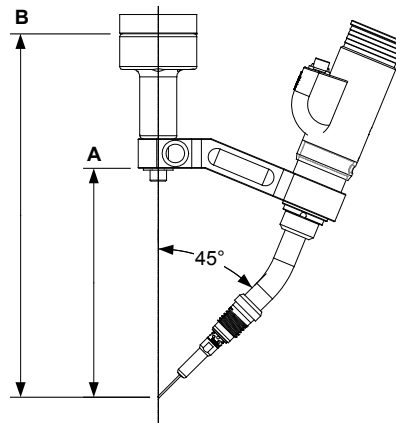
## RSM-2000 Stationary Mount (Stock No. 3500-1450)

Tweco® Robotics Stationary Mount was designed for use with robots that do not require the RDM series deflection mounts to act as a safety device.

- Machined from a solid aluminum alloy to provide precision and accuracy.
- Furnished with an adapter plate, Part No. RSM-AP-8 (Stock No. 3500-1475)
- Furnished with the necessary hardware to fasten the mount to the robot.



## Fixed Mounting Arms



Part No.	Stock No.	Conductor Tube	"A"	"B"
RDM-A-180	3500-1132	QTR, QTRW64/66-45	7.388" (196,38mm)	11.877" (301,67mm)
RDM-A-180L	3500-1135	QTR, QTRW64/66-45L	9.037" (229,54mm)	13.576" (344,83mm)
RDM-A-22	3500-1130	QTR, QTRW64/66-22	7.735" (196,47mm)	12.274" (311,77mm)
RDM-A-22L	3500-1129	QTR66-22L	8.974" (227,95mm)	13.513" (343,24mm)
RDM-A-22LW	3500-1122	QTRW64/66-22L	8.545" (217,05mm)	13.084" (332,34mm)
RDM-A-45	3500-1131	QTR, QTRW64/66-180	7.993" (203,02mm)	12.532" (318,31mm)
RDM-A-45L	3500-1134	QTR, QTRW64/66-180L	8.833" (224,36mm)	13.372" (339,65mm)