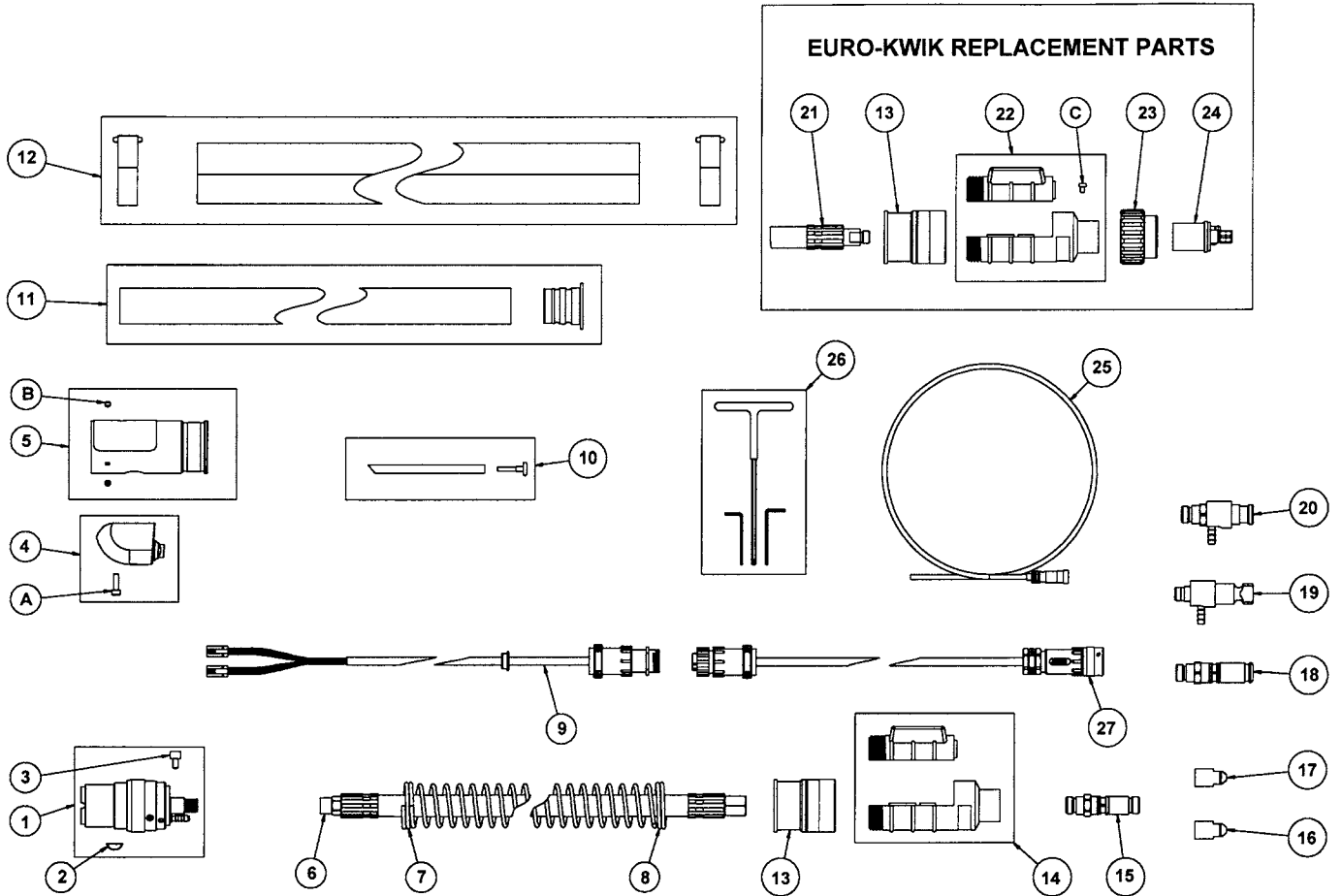


QRA & QRAS Series Replacement Parts



QRA & QRAS Series Replacement Parts

Item No.	Part No.	Stock No.	Description
1	---	---	Cartridge Kit - (Includes Item #2, #3 and Hose Clamps)
	QRA-1BC	3045-1150	For use with 1-5/8" (41,28mm) Ø Mount – QRA Series***
	QRA-2BC	3045-1151	For use with 1-1/2" (38,10mm) Ø Mount – QRA Series
	QRA-3BC	3045-1155	For use with 1-3/8" (34,93mm) Ø Mount – QRA Series
	QRA-4BC	3045-1153	For use with 36mm Ø Mount – QRA Series
	QRAS-1BC	3045-1195	For use with 1-5/8" (41,28mm) Ø Mount – QRAS Series***
	QRAS-2BC	3045-1196	For use with 1-1/2" (38,10mm) Ø Mount – QRAS Series
	QRAS-3BC	3045-1197	For use with 1-3/8" (34,93mm) Ø Mount – QRAS Series
	QRAS-4BC	3045-1198	For use with 36mm Ø Mount – QRAS Series
NS	QR106RLS	3045-1341	Replacement Locking Set Screw F/Torch Block (Pkg. of 5 ea.)
2	---	---	Key
	QTRMS-BS	3045-1156	For use with QRA-1BC Cartridge Kit (Pkg. of 5 ea.)
	QR3MS-BS	3045-1157	For use with QRA-2BC & QRA-3BC Cartridge Kits (Pkg. of 5ea.)
3	QR106-S	3045-1158	Conduit Screw (Pkg. of 5 ea.)
4	---	---	Inch Switch & E-Stop Housing Assembly (Includes Item "A")
	QR-SH	3045-1159	For use with 1-5/8" Diameter Cartridge Kit
	QR-SH3	3045-1476	For use with 1-3/8" Diameter Cartridge Kit
	QR-SH4	3045-1477	For use with 36mm Diameter Cartridge Kit
5	QR-FCS	3045-1160	Front Case (Includes Item "B")
6	---	---	QRA Power Cable Assy (Includes Hose Clamps)
	QR603-CH	3045-1164	For use with 3 ft. (91cm) torch
	QR6035-CH	3045-1165	For use with 3.5 ft. (1,07m) torch
	QR604-CH	3045-1166	For use with 4 ft. (1,22m) torch
	QR6045-CH	3045-1167	For use with 4.5 ft. (1,37m) torch
	QR605-CH	3045-1168	For use with 5 ft. (1,52m) torch
	QR6055-CH	3045-1169	For use with 5.5 ft. (1,68m) torch
	QR606-CH	3045-1170	For use with 6 ft. (1,83m) torch
	QR607-CH	3045-1171	For use with 7 ft. (2,13m) torch
	QR608-CH	3045-1172	For use with 8 ft. (2,44m) torch
	QR610-CH	3045-1173	For use with 10 ft. (3m) torch
	QR612-CH	3045-1174	For use with 12 ft. (4m) torch
	QR615-CH	3045-1175	For use with 15 ft. (5m) torch
7	---	---	Front Spring
	QR-SP	3045-1176	For use with 3 ft. (91cm) & 3.5 ft. (1,07m) torches
	QR-SPR	3045-1177	For use with 4 ft. (1,22m) through 7 ft. (2,13m) torches
	QR-SPHD	3045-1178	For use with 8 ft. (2,44m) through 15 ft. (5m) torches
8	---	---	Rear Spring
	QR-SP	3045-1176	For use with 3 ft. (91cm) & 3.5 ft. (1,07m) torches
	QR-SPHD	3045-1178	For use with 4 ft. (1,22m) through 15 ft. (5m) torches
9	---	---	Control Cable Assembly (includes Hose Clamp)
	QR03-CC	3045-1181	For use with 3 ft. (91cm) torch
	QR035-CC	3045-1182	For use with 3.5 ft. (1,07m) torch
	QR04-CC	3045-1183	For use with 4 ft. (1,22m) torch
	QR045-CC	3045-1184	For use with 4.5 ft. (1,37m) torch
	QR05-CC	3045-1185	For use with 5 ft. (1,52m) torch
	QR055-CC	3045-1186	For use with 5.5 ft. (1,68m) torch
	QR06-CC	3045-1187	For use with 6 ft. (1,83m) torch
	QR07-CC	3045-1188	For use with 7 ft. (2,13m) torch
	QR08-CC	3045-1189	For use with 8 ft. (2,44m) torch
	QR10-CC	3045-1190	For use with 10 ft. (3m) torch
	QR12-CC	3045-1191	For use with 12 ft. (4m) torch
	QR15-CC	3045-1192	For use with 15 ft. (5m) torch
10	---	---	Purge Hose Assembly (Includes Hose Plug Nipple & Clamp)
	QR03-PH	3045-1200	For use with 3 ft. (91cm) torch
	QR035-PH	3045-1201	For use with 3.5 ft. (1,07m) torch
	QR04-PH	3045-1202	For use with 4 ft. (1,22m) torch
	QR045-PH	3045-1203	For use with 4.5 ft. (1,37m) torch
	QR05-PH	3045-1204	For use with 5 ft. (1,52m) torch
	QR055-PH	3045-1205	For use with 5.5 ft. (1,68m) torch
	QR06-PH	3045-1206	For use with 6 ft. (1,83m) torch

*** Standard On All QRA & QRAS Torch Body and Cable Assemblies

QRA & QRAS Series Replacement Parts (cont.)

Item No.	Part No.	Stock No.	Description
	QR07-PH	3045-1207	For use with 7 ft. (2,13m) torch
	QR08-PH	3045-1208	For use with 8 ft. (2,44m) torch
	QR10-PH	3045-1209	For use with 10 ft. (3m) torch
	QR12-PH	3045-1210	For use with 12 ft. (4m) torch
	QR15-PH	3045-1211	For use with 15 ft. (5m) torch
11	---	---	Cable Cover Kit
	QR03-CV	3045-1213	For use with 3 ft. (91cm) torch
	QR035-CV	3045-1214	For use with 3.5 ft. (1,07m) torch
	QR04-CV	3045-1215	For use with 4 ft. (1,22m) torch
	QR045-CV	3045-1216	For use with 4.5 ft. (1,37m) torch
	QR05-CV	3045-1217	For use with 5 ft. (1,52m) torch
	QR055-CV	3045-1218	For use with 5.5 ft. (1,68m) torch
	QR06-CV	3045-1219	For use with 6 ft. (1,83m) torch
	QR07-CV	3045-1220	For use with 7 ft. (2,13m) torch
	QR08-CV	3045-1221	For use with 8 ft. (2,44m) torch
	QR10-CV	3045-1222	For use with 10 ft. (3m) torch
	QR12-CV	3045-1223	For use with 12 ft. (4m) torch
	QR15-CV	3045-1224	For use with 15 ft. (5m) torch
12	---	---	Outer Cover Assembly (Includes Nylon Cable Tie – 2 ea.)
	QR03-LC	3045-1226	For use with 3 ft. (91cm) torch
	QR035-LC	3045-1227	For use with 3.5 ft. (1,07m) torch
	QR04-LC	3045-1228	For use with 4 ft. (1,22m) torch
	QR045-LC	3045-1229	For use with 4.5 ft. (1,37m) torch
	QR05-LC	3045-1230	For use with 5 ft. (1,52m) torch
	QR055-LC	3045-1231	For use with 5.5 ft. (1,68m) torch
	QR06-LC	3045-1232	For use with 6 ft. (1,83m) torch
	QR07-LC	3045-1233	For use with 7 ft. (2,13m) torch
	QR08-LC	3045-1234	For use with 8 ft. (2,44m) torch
	QR10-LC	3045-1235	For use with 10 ft. (3m) torch
	QR12-LC	3045-1236	For use with 12 ft. (4m) torch
	QR15-LC	3045-1237	For use with 15 ft. (5m) torch
13	QR-RC	3045-1238	Rear Spring Cap
14	QRA-CS	3045-1239	Rear Case Assembly
15	R176MH	2060-2184	Miller® Connector Plug (Includes Items #16 & 17)***
	R174MH	2035-2109	Miller Connector Plug (Includes Items #16 & #17)
16	R175M-N045	2050-2181	Miller Plug Nipple, .045" (1,0mm) Wire (Use w/R176MH)***
	R174M-N045	2040-2192	Miller Plug Nipple, .045" (1,0mm) Wire (Use w/R174MH)
17	R175M-N116	2050-2182	Miller Plug Nipple, .062" (1,6mm) Wire (Use w/R176MH)***
	R174M-N116	2040-2191	Miller Plug Nipple, .062" (1,6mm) Wire (Use w/R174MH)
18	176S-H	2060-2177	Tweco® Connector Plug***
	350-174H	2035-2110	Tweco Connector Plug (Uses R44 series Conduit)
19	350-174PH	2035-2172	Panasonic® Connector Plug (Uses R44 series Conduit)
20	QTR176LH	2086-2624	Lincoln® Connector Plug (2.71" – 68,83mm OAL.)***
	EL176LH	2060-2680	Lincoln Connector Plug (3.84" – 97,54mm OAL)
	QTR174LH	2086-2623	Lincoln Connector Plug (Uses R44 series Conduit)
21	---	---	XQRA Power Cable Assy (Includes Hose Clamps)
	XQR603-CH	3045-1375	For use with 3 ft. (91cm) torch
	XQR6035-CH	3045-1376	For use with 3.5 ft. (1,07m) torch
	XQR604-CH	3045-1377	For use with 4 ft. (1,22m) torch
	XQR6045-CH	3045-1378	For use with 4.5 ft. (1,37m) torch
	XQR605-CH	3045-1379	For use with 5 ft. (1,52m) torch
	XQR6055-CH	3045-1380	For use with 5.5 ft. (1,68m) torch
	XQR606-CH	3045-1381	For use with 6 ft. (1,83m) torch
	XQR607-CH	3045-1382	For use with 7 ft. (2,13m) torch
	XQR608-CH	3045-1383	For use with 8 ft. (2,44m) torch
	XQR610-CH	3045-1384	For use with 10 ft. (3m) torch
	XQR612-CH	3045-1385	For use with 12 ft. (4m) torch
	XQR615-CH	3045-1386	For use with 15 ft. (5m) torch
22	XQRA-CS	3045-1240	Euro-Kwik Rear Case Assembly (Includes Item "C")
23	174X-2S	2040-2193	Euro-Kwik Nut
24	E171-TS	2011-2172	Euro-Kwik Adapter

*** Standard On All QRA & QRAS Torch Body and Cable Assemblies

Lincoln is a registered trademark of Lincoln Electric Co. Miller is a registered trademark of Illinois Tool Works, Inc. Panasonic is a registered trademark of Matsushita Electric Industrial Co., Ltd. The aforementioned registered trademarks are in no way affiliated with Tweco Robotics or Thermadyne Industries, Inc. Tweco is a registered trademark of Thermadyne Industries, Inc.

QRA & QRAS Series Replacement Parts (cont.)

Item No.	Part No.	Stock No.	Description
25	---	---	Conduit (Refer to Page 26)
26	QTR-TOOLS	2062-2034	Tool Kit
27	---	---	E-stop Jumper Cable Assembly
	QRJC-010	3045-1241	Without Connector – 3 ft. (91cm) Long
	QRJC-020	3045-1242	With Burndy Connector – 3 ft. (91cm) Long
	QRJC-030	3045-1243	With 4-pin Amp Connector – 3 ft. (91cm) Long
	QRJC-040	3045-1244	With 5-pin DDK Connector - 3ft. (91cm) Long
	QRJC-050	3045-1245	With 5-pin DDK Connector (Panasonic®) - 3ft. long (91cm)

Standard Fasteners

These standard fasteners are not sellable items and must be purchased at a local hardware or fastener supply house.

Item No.	Description
A	#10-32 x 5/8" Socket Head Cap Screw
B	#10-32 x 3/16" Stainless Cup Point Set Screw
C	M4 x .07 Head Screw