

Flamebuster™ Flashback Arrestors

Flashback arrestors and reverse flow check valves provide additional protection against flashbacks. Victor recommends the use of these devices whenever possible. Victor add-on flashback arrestors contain both a reverse flow check valve and a flashback arrestor.

Due to the high flow requirements of Victor Heavy Industry torches, it is important to use flashback arrestors that have sufficient flow capacity.

IT IS IMPORTANT TO UNDERSTAND THE DIFFERENCE BETWEEN REVERSE FLOW CHECK VALVES AND FLASHBACK ARRESTORS.

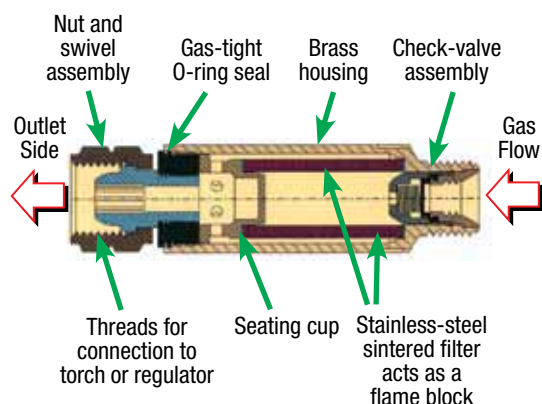
Reverse Flow Check Valves: Helps to prevent the reverse flow of gases from traveling past the check valve.

Flashback Arrestors: Prevents a flame from traveling past the flashback arrestor in the event of a flashback.

Note: The use of both regulator and torch mount flashback arrestors with heavy industry equipment requiring high gas volume is not recommended because it may cause excessive flow restriction. It is always better to place the safety devices at the rear of the torch than at the regulator.

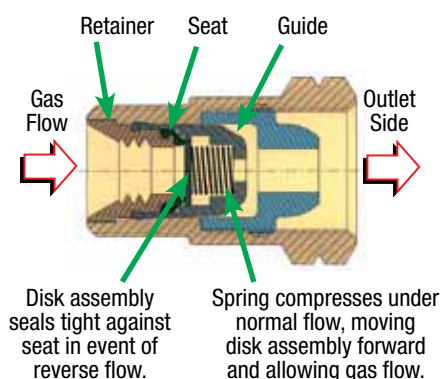
The Flashback Arrestor

PREVENTS FLASHBACK.



The Check Valve

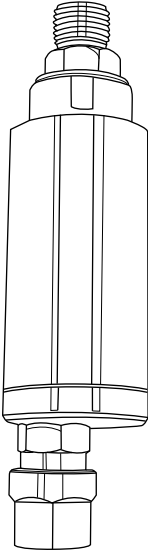
PREVENTS THE REVERSE FLOW OF GASES.



Victor Heavy Industry

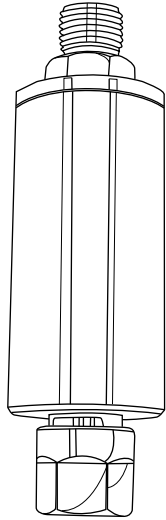
FBHC-O

High Flow
Torch Mount



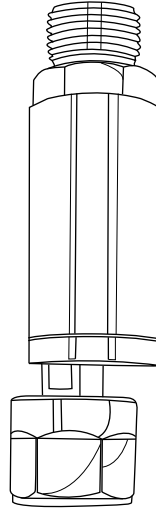
FBHC-OR

High Flow
Regulator Mount



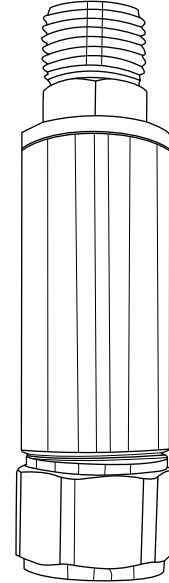
FBHC-OC

High Flow
Torch Mount



FBHC-ORC

High Flow
Regulator Mount

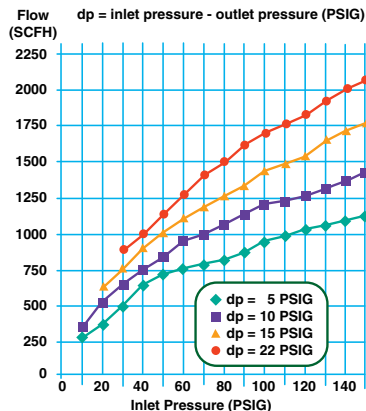


FLAMEBUSTER HIGH FLOW ORDERING INFORMATION

Part No.	Model	Gas	Description	Connection
Oxygen - Torch Mount (Torch mount models also protect hose.)				
0657-0076	FBHC-O	Oxygen	Torch Mount - High Flow	"B" 9/16"-18 RH (CGA 022)
0657-0077	FBHC-OC	Oxygen	Torch Mount - High Flow	"C" 7/8"-14 RH (CGA 024)
Oxygen - Regulator Mount				
0657-0078	FBHC-OR	Oxygen	Regulator Mount - High Flow	"B" 9/16"-18 RH (CGA 022)
0657-0079	FBHC-ORC	Oxygen	Regulator Mount - High Flow	"C" 7/8"-14 RH (CGA 024)

Flow rates shown in chart are for air. To convert to other gases, multiply the air flow rate by the conversion factor listed. Nothing can take the place of proper equipment operation. Always read, understand and follow the instructions provided with each product.

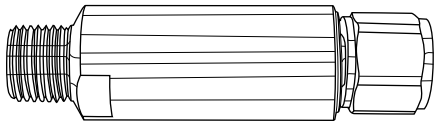
Flow Chart - FBHC Series Flashback Arrester



Gas	Conversion Factor	Max. Pressure
Acetylene	1.05	15 PSI
Hydrogen	3.79	30 PSI
Mapp	0.82	22 PSI
Methane	1.34	50 PSI
Oxygen	0.95	143 PSI
Propane	0.80	50 PSI

FB-0

Torch Mount



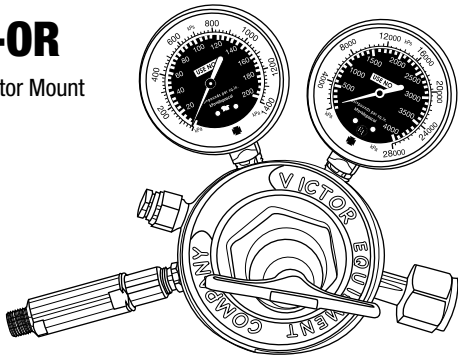
FB-F

Torch Mount



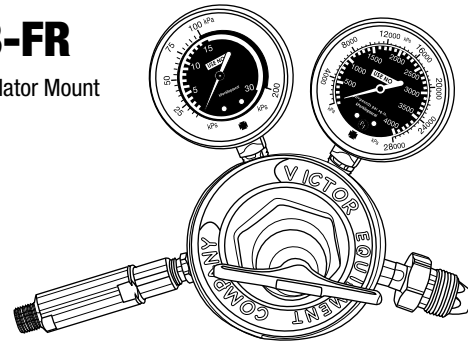
FB-OR

Regulator Mount

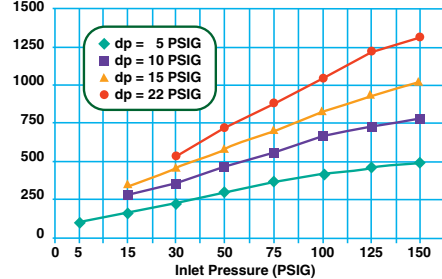


FB-FR

Regulator Mount



Flow Chart FB Series Flashback Arrestor
Flow (SCFH)
dp = inlet pressure - outlet pressure (PSIG)



Gas	Conversion Factor	Max. Pressure
Acetylene	1.05	15 PSI
Hydrogen	3.79	30 PSI
Mapp	0.82	50 PSI
Methane	1.34	50 PSI
Oxygen	0.95	150 PSI
Propane	0.80	50 PSI

FLAMEBUSTER ORDERING INFORMATION

Part No.	Model	Gas	Description	Connection
Oxygen - Torch Mount				
0657-0010	FB-0	Oxygen	Torch Mount	"B" 9/16"-18 RH (CGA 022)
Oxygen - Regulator Mount				
0657-0014	FB-OR	Oxygen	Regulator Mount	"B" 9/16"-18 RH (CGA 022)
Fuel - Torch Mount				
0657-0011	FB-F	Fuel	Torch Mount	"B" 9/16"-18 LH (CGA 023)
Fuel - Regulator Mount				
0657-0015	FB-FR	Fuel	Regulator Mount	"B" 9/16"-18 LH (CGA 023)
Pair Packs				
0656-0001	FB-1	Oxy/Fuel	Torch Mount	"B" 9/16"-18 RH/LH (CGA 022 & 023)
0656-0004	FBR-1	Oxy/Fuel	Regulator	"B" 9/16"-18 RH/LH (CGA 022 & 023)

Flow rates shown in chart are for air. To convert to other gases, multiply the air flow rate by the conversion factor listed. Nothing can take the place of proper equipment operation. Always read, understand and follow the instructions provided with each product.

FLAMEBUSTER™ FLASHBACK ARRESTOR

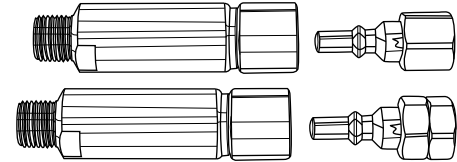
Part No.	Model	Description
Torch Models		
0656-0001	FB-1	FlameBuster Torch - Pair Pak (Oxygen & Fuel)
0657-0010	FB-O	FlameBuster Torch (Oxygen) Flash Arrestor
0657-0011	FB-F	FlameBuster Torch (Fuel) Flash Arrestor
Regulator Models		
0656-0004	FBR-1	FlameBuster Regulator - Pair Pak (Oxygen & Fuel)
0657-0014	FB-OR	FlameBuster Regulator (Oxygen) Flash Arrestor
0657-0015	FB-FR	FlameBuster Regulator (Fuel) Flash Arrestor



FLAMEBUSTER PLUS FLASHBACK ARRESTOR WITH KWIK-CONNECT COUPLING

Designed to Prevent Flashback from Torch to Hose.
(Not for Regulators)

Part No.	Model	Description
0656-0002	FBP-1	FlameBuster Plus Torch - Pair Pak
0657-0002	FBP-O	FlameBuster Plus Torch
0657-0003	FBP-F	FlameBuster Plus Torch

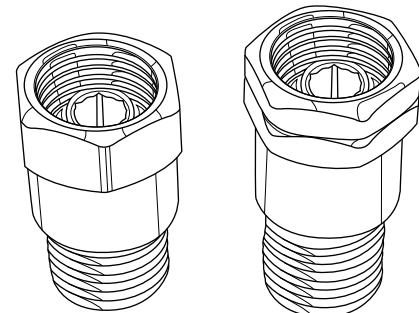


FLAMEBUSTER PLUS FLASHBACK ARRESTOR WITH KWIK-CONNECT COUPLING COMPONENTS FBP-1

Male End	Gas	Female End	Gas
0657-0031	Oxygen	0657-0008	Oxygen
0657-0032	Fuel Gas	0657-0009	Fuel Gas

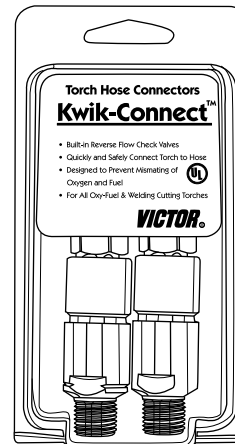
FLASHBACK ARRESTORS & REVERSE FLOW CHECK VALVES FOR TORCHES & REGULATORS

Part No.	Description
Torch Models	
0690-0011	CTO & CTF Torch - Check Valves Pair Pack (Oxygen & Fuel)
0690-0032	CTO Torch - Check Valve (Oxygen)
0690-0033	CTF Torch - Check Valve (Fuel)
Regulator Models	
0690-0012	CRO & CRF Regulator - Check Valves Pair Pack (Oxygen & Fuel)
0690-0034	CRO Regulator - Check Valve (Oxygen)
0690-0035	CRF Regulator - Check Valve (Fuel)



KWIK-CONNECT™ TORCH/HOSE CONNECTIONS

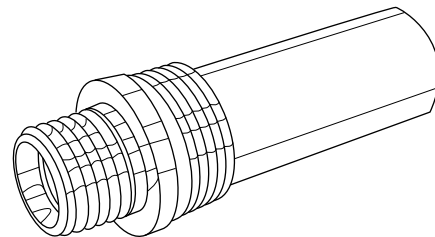
Part No.	Model/Description
Torch /Hose Connections	
0656-0000	KC-1 Kwik Connect Pair Pak (Oxygen and Fuel)
0312-0090	KCO Kwik Connect (Oxygen)
0312-0091	KCF Kwik Connect (Fuel)



VANGUARD™ FLASHBACK ARRESTOR REPLACEMENT CARTRIDGE

Part No.	Model/Description
Torch /Hose Connections	
0657-0036	Torch and Torch Handle Replacement Cartridge (315FC, 100FC, J 100FC) (CST 800FC) (Both Gases)
0657-0068	Torch and Torch Handle Replacement Cartridge (H 315FC) (Oxygen)
0657-0069	Torch and Torch Handle Replacement Cartridge (H 315FC) (Fuel Gas)

Flashback arrestor replacement cartridges include an "O" ring but does not include a replacement reverse flow check valve. Part No. 0690-0027 - 9/16" (pair)



BUILT-IN FLASH ARRESTOR RETRO-FIT KIT

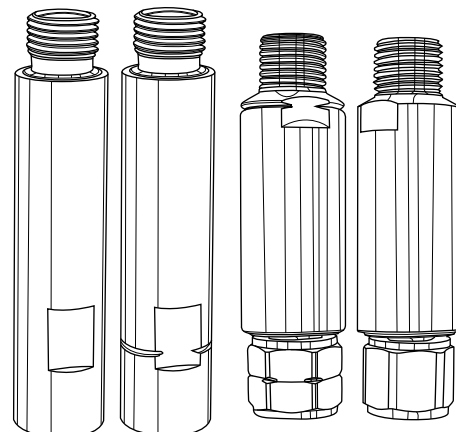
The retro-fit kit allows replacement of built-in flash arrestors for cutting torches without the use of loctite or heat.

Part No.	Model/Description
Torch /Hose Connections	
0656-0046	Includes oxygen and fuel cartridges, retainer plate and screws, hex key, and instructions

Repair of oxy/fuel equipment, including flashback arrestor and check valve replacement, should be done by a qualified technician.

VICTOR CUTSKILL FLASHBACK ARRESTORS - PAIR PACKS

Part No.	Model No.	Gas	Description	Connection
0656-0006	FBT-2	Oxy/Fuel	Torch Mount	"B" 9/16"-18 RH/LH (CGA 022 & 023)
0656-0007	FBR-2	Oxy/Fuel	Regulator Mount	"B" 9/16"-18 RH/LH (CGA 022 & 023)



NOT JUST SAFE. VICTOR SAFE.

Follow these rules for maximum safety on the job.



1-800-426-1888
www.victorequip.com



1 Read operating instructions carefully before using equipment. A guide to safe operation is included in all Victor outfits.



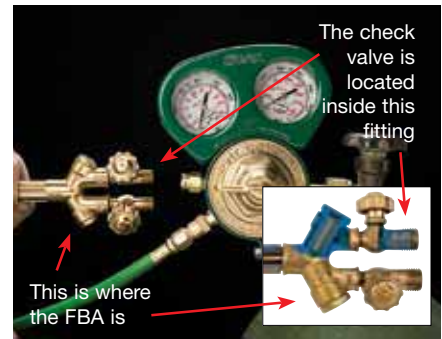
2 Always keep cylinders securely chained. Keep valve caps on when not in use.



3 Inspect regulator inlet and cylinder valve for any evidence of oil or grease. If oil or grease is found – do not use regulator!



4 Stand to the side when opening the cylinder valve. Always open the valve slowly and carefully.



5 Always use flashback arrestors and reverse flow check valves when operating gas equipment.



6 Carefully inspect torch connections for damaged or missing "O" rings.



7 Always purge the system before lighting the torch. Use tip charts when setting operating pressure.



8 Wear protective clothing. Insure proper ventilation. Always keep sparks away from combustibles.