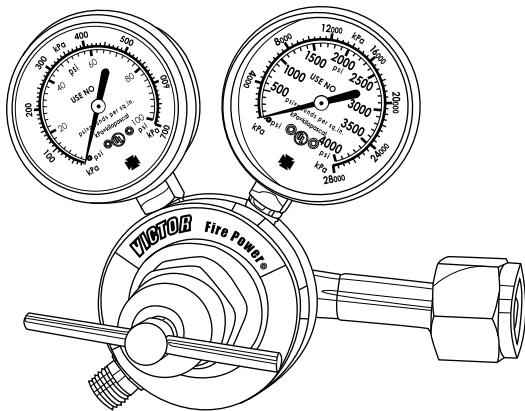


RF 350 Series

- Single stage design
- Forged brass body & housing cap (housing cap is finished in a black powder coat)
- Stem type seat mechanism
- Neoprene diaphragm
- Internal relief
- Maximum delivery pressure: 125 PSIG

Part No.	Model No.
0781-9171	RF 350-125-540
0781-9172	RF 350-15-510
0781-9802	RF 350-15-300



RF 250 Series

- Single stage design
- Forged brass body & housing cap (housing cap is finished in a black powder coat)
- Stem type seat mechanism
- Neoprene diaphragm
- Internal relief
- Maximum delivery pressure: 125 PSIG

Part No.	Model No.
0781-9112	RF 250-15-510
0781-9111	RF 250-80-540
0781-9800	RF 250-15-300
0781-9851	RF 250-200-580
0781-9115	RF 250-40-510LP
0781-9116	RF 250-125-540
0781-9850	RF 250-125-580