

### RC 450 Series

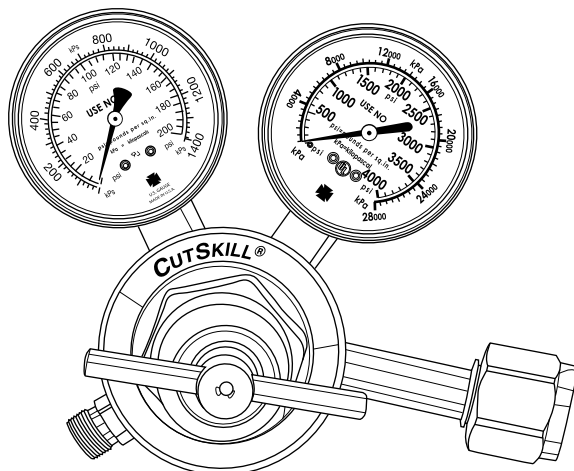
- Heavy duty
- Single stage design
- Forged brass body & housing cap
- 2.5" (63.5mm) gauges
- Stem type seat mechanism
- Stainless steel diaphragm
- Maximum inlet pressure: 3000 PSIG
- 9/16"-18 outlet connection
- Internal relief

**Dimensions:** ..... 7.25" W x 7" H x 5.13" D  
(184.2mm x 177.8mm x 130.3mm)

**Weight:** ..... 5 lb. 2 oz. (2.32kg)

Part No.	Model No.	Description
0781-4144	RC 450-125-540	Oxygen HD Regulator
0781-4146	RC 450-15-510	Acetylene HD Regulator
0781-4148	RC 450-15-300	Acetylene HD Regulator
0781-4158	RC 450-125-580	Nitrogen HD Regulator
0781-4149	RC 450-40-510LP	LP Gas Regulator

### Victor CutSkill • Heavy / Medium Duty



### RC 350 Series

- Medium to heavy duty
- Single stage design
- Forged brass body & housing cap
- 2.5" (63.5mm) gauges
- Stem type seat mechanism
- Neoprene diaphragm
- Maximum inlet pressure: 3000 PSIG
- 9/16"-18 outlet connection
- Internal relief

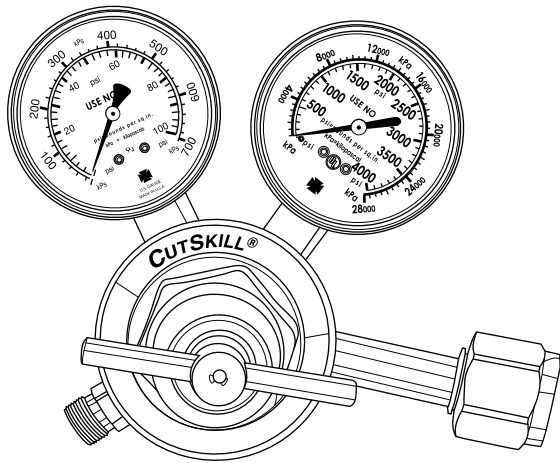
**Dimensions:** ..... 7.5" W x 6" H x 5" D  
(190.5mm x 152.4mm x 127.0mm)

**Weight:** ..... 3 lb. 8 oz. (1.59kg)

Part No.	Model No.	Description
0387-2300	RC 350-125-540 CS	Oxygen HD/MD Regulator
0387-2302	RC 350-80-540 CS	Oxygen HD/MD Regulator
0387-2400	RC 350-15-510 CS	Acetylene HD/MD Regulator
0387-2401	RC 350-15-300 CS	Acetylene HD/MD Regulator
0781-9654	RC 350-15-510 WQ	Acetylene HD/MD Regulator
0781-9653	RC 350-40-510LP CS	LP Gas HD/MD Regulator
0781-9087	RC 350-80-580 CS	Inert Gas HD/MD Regulator

CS Clamshell Pkg.

WQ (Fits Linde WQ type acetylene cylinders)



### RC 250 Series

- Medium duty
- Single stage design
- Forged brass body & housing cap
- 2" (50.8mm) gauges
- Stem type seat mechanism
- Neoprene diaphragm
- Maximum inlet pressure: 3000 PSIG
- 9/16"-18 outlet connection
- Internal relief

**Dimensions:** ..... 6.38" W x 5.13" H x 4.25" D  
(162.1mm x 130.3mm x 108.0mm)

**Weight:** ..... 2 lb. 15 oz. (1.33kg)

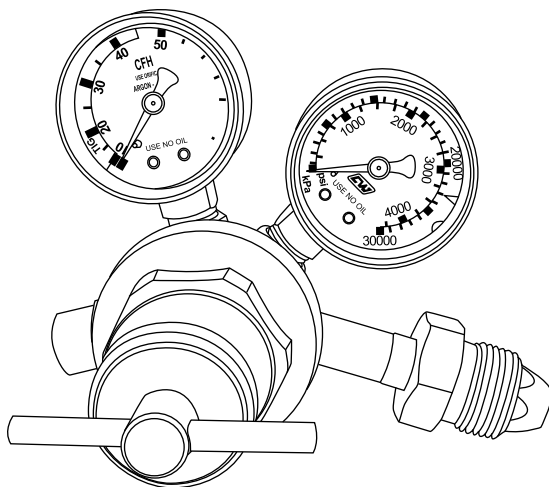
Part No.	Model No.	Description
<b>0387-2100</b>	RC 250-15-510 CS	Acetylene MD Regulator
<b>0387-2101</b>	RC 250-15-300 CS	Acetylene MD Regulator
<b>0387-2001</b>	RC 250-80-540 CS	Oxygen MD Regulator
<b>0387-0229</b>	RC 250-125-540 CS	Oxygen MD Regulator
<b>0387-0230</b>	RC 250-40-510LP CS	LP Gas MD Regulator
<b>0387-0211</b>	RC 250-15-510 CS RC 250-80-540 CS	Oxygen & Acetylene MD Regulator Pair
<b>0387-0212</b>	RC 250-15-510 CS RC 250-125-540 CS	Oxygen & Acetylene MD Regulator Pair
<b>0387-0214</b>	RC 250-15-300 CS RC 250-80-540 CS	Oxygen & Acetylene MD Regulator Pair
<b>CS Clamshell Pkg.</b>		

### TA 250 Series

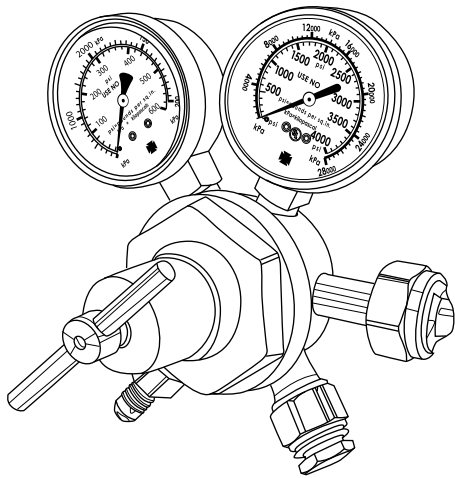
- Medium Duty
- Single stage design
- Forged brass body & housing cap
- Maximum inlet pressure: 2900 PSIG
- MIG and TIG applications
- Replacement regulator for: Thermal Arc 95S and Fabricator Series

**Dimensions:** ..... 5.5" W x 4.5" H x 3.5" D  
(139.7mm x 114.3mm x 88.9mm)

**Weight:** ..... 2 lb. 4 oz. (1.1kg)



Part No.	Model No.	Description
<b>600300</b>	TA 250-580	Argon, Argon/CO <sub>2</sub> Regulator
<b>Outlet Connection:</b> 5/18"-18 RH(F)		



### TPR 250 Series

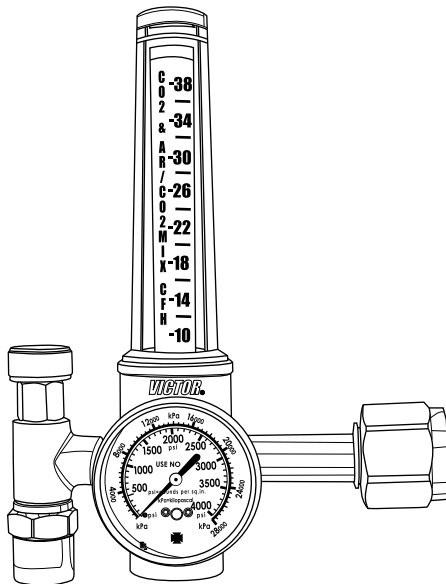
- Single stage design
- Forged brass body & housing cap
- 2" (50.8mm) gauges
- Stem type seat mechanism
- Neoprene diaphragm
- Maximum inlet pressure: 3000 PSIG

**Dimensions:** ..... 6.38" W x 5.13" H x 4.25" D  
(162.1mm x 130.3mm x 108.0mm)

**Weight:** ..... 2 lb. 15 oz. (1.33kg)

Part No.	Model No.	Delivery Pressure (PSIG)
0781-9133	TPR 250-125-580	5-125
0781-9127	TPR 250-125-320	5-125
0781-9134	TPR 250-200-580	10-250
0781-9135	TPR 250-500-580	10-500

**Outlet Connection:** 1/4"-37° flare.

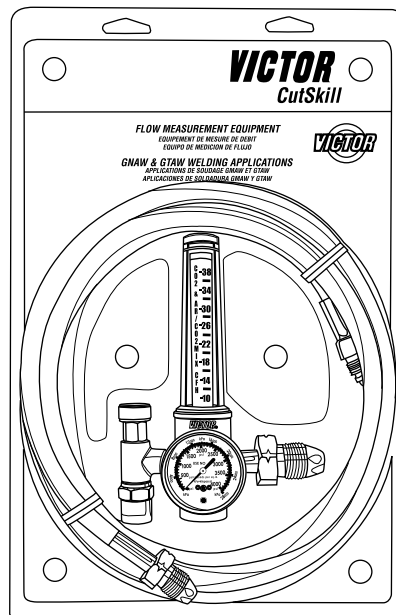


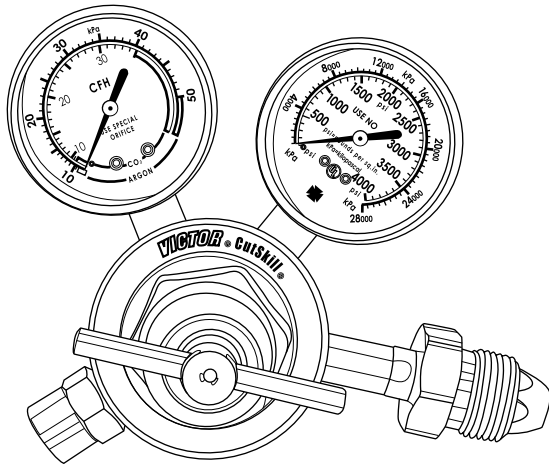
### HRF 1400 Series

- Single stage piston design
- Argon, Argon/CO<sub>2</sub> mix & CO<sub>2</sub> models
- Maximum inlet pressure: 3000 PSIG
- 25 PSIG or 80 PSIG pre-set pressure
- Up to 50 CFH for Argon and up to 38 CFH for CO<sub>2</sub> delivery
- Available in CGA 320 & 580 inlet connections
- Option MIG kit available with 10' (3.1m) hose

Part No.	Model No.
0781-2723	HRF 1425-580
0387-0240	HRF 1425-580 CS
0781-2743	HRF 1425-580 (With 10' (3.1m) hose)
0781-2725	HRF 1480-320
0781-2745	HRF 1480-320 (With 10' (3.1m) hose)
0781-2724	HRF 1480-580
0781-2744	HRF 1480-580 (With 10' (3.1m) hose)

**Outlet Connection:** 5/8"-18 RH(F)  
CS Clamshell Pkg.

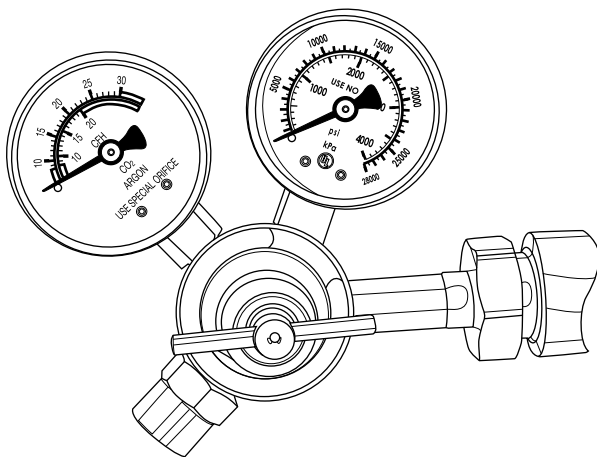




### AF 200

- Single stage design
- Forged brass body & housing cap
- Stem type seat mechanism
- Argon, Argon/CO<sub>2</sub> mix & CO<sub>2</sub> models
- Maximum inlet pressure: 3000 PSIG
- Up to 50 CFH/ for Argon and up to 38 CFH/ for CO<sub>2</sub>
- Available in CGA 320 & 580 inlet connections
- 5/8"-18 RH(F) outlet connection except when noted
- Optional MIG kit available with 10' (3.1m) hose

Part No.	Model No.
0781-9250	AF 200-580
0387-0235	AF 200-580 CS (With 10' (3.1m) hose)
<b>Outlet Connection:</b> 5/8"-18 RH(F)	
<b>CS</b> Clamshell Pkg.	



### AF & CF 150

- Single stage design
- Forged brass body & housing cap
- Stem type seat mechanism
- Argon, Argon/CO<sub>2</sub> mix & CO<sub>2</sub> models
- Maximum inlet pressure: 3000 PSIG
- Up to 50 CFH/ for Argon and up to 38 CFH/ for CO<sub>2</sub>
- Available in CGA 320 & 580 inlet connections
- 5/8"-18 RH(F) outlet connection except when noted
- Optional MIG kit available with 10' (3.1m) hose

Part No.	Model No.
0781-1103	AF 150-580 CS (With 10' (3.1m) hose)
0387-0245	AF 150-580 CS
0781-1120	CF 153-320
0781-1123	CF 153-320 CS (With 10' (3.1m) hose)
<b>Outlet Connection:</b> 5/8"-18 RH(F)	
<b>CS</b> Clamshell Pkg.	