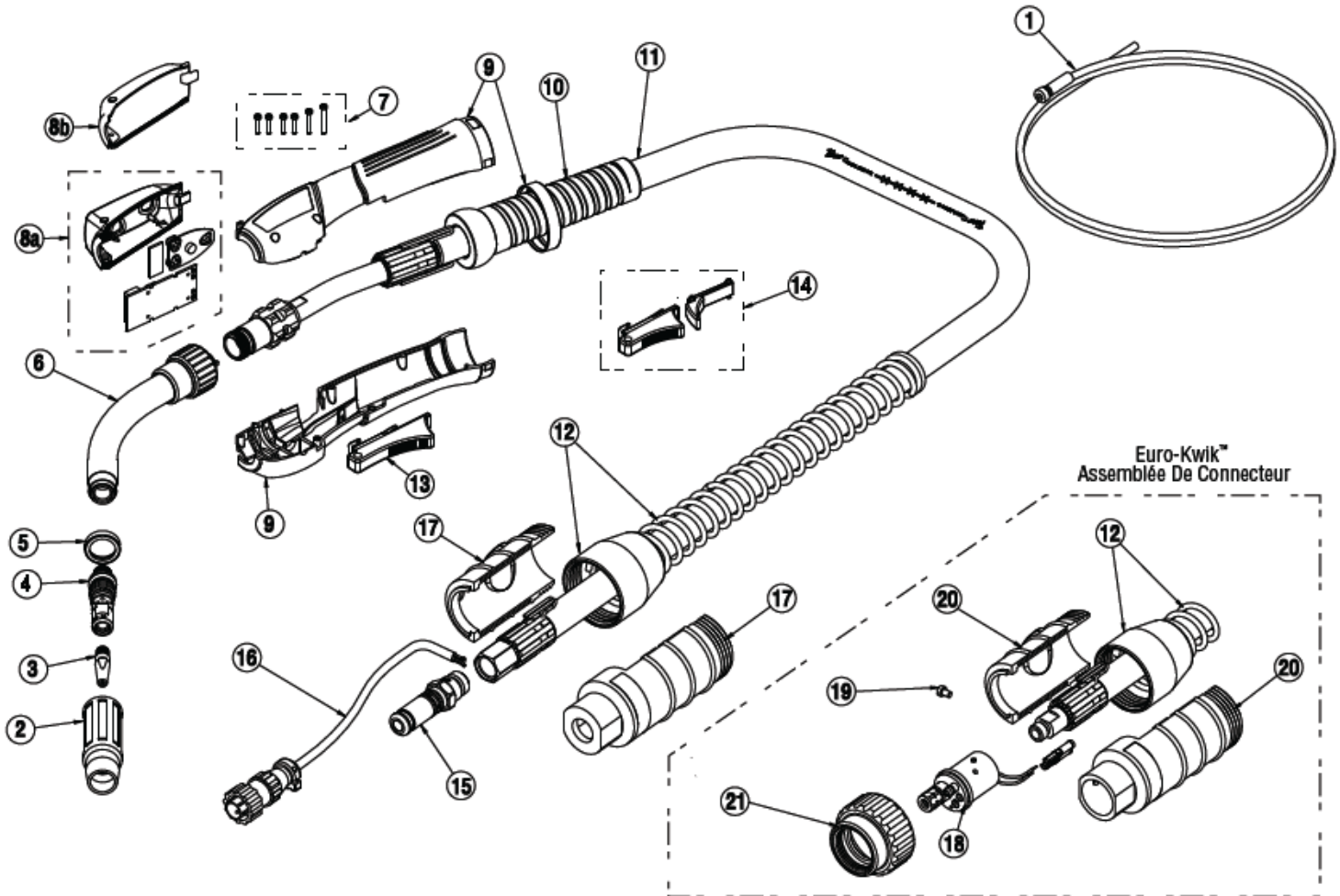


Air-Cooled MIG GUN ASSEMBLY



Item No.	Part No.	Stock No.	Description
1	44P-XX-XX	--	Conduit Assembly (see page 6)
2	PMA24-XX	--	Nozzle Assembly (see page 5)
3	16APT-XX	--	Contact Tip (see page 5)
4a	PMA5416S	1543-1106	Gas Diffuser used w/ 16PS Series Contact Tips
4b	PMA5416	1534-1105	Gas Diffuser used w/ 16P Series Contact Tips
5	66J-3	1660-1836	Nozzle Insulator
6	PMA64EL-45	1642-1130	Conductor Tube Assembly
7	PMHSK	2060-2705	Handle Screws w/ T9 Star Head (12mm, 16mm, & 20mm LG)
8a*	PM84-PCB-HK	2060-2706	Handle Housing w/ Smart Control Assembly
8b	PM84-H	2060-2707	Handle Housing (Blank)
9	PM84	2060-2708	Large Handle Assembly w/ Retaining Ring
9	PM83	2060-2715	Small Handle Assembly w/ Retaining Ring
10	PMA-SPS	2060-2709	Front Cable Support
11a	PM400-12	2060-2703	350 amp 12 ft. Cablehoz™ Assembly
11b	PM400-15	2060-2704	350 amp 15 ft. Cablehoz™ Assembly
11c	PM400X-12	2060-2718	350 amp 12 ft. Cablehoz™ Assembly (Euro Kwik)

Item No.	Part No.	Stock No.	Description
11d	PM400X-15	2060-2719	350 amp 15 ft. Cablehoz™ Assembly (Euro Kwik)
11e	PM500-12	2060-2710	450 amp 12 ft. Cablehoz™ Assembly
11f	PM500-15	2060-2711	450 amp 15 ft. Cablehoz™ Assembly
11g	PM500X-12	2060-2716	450 amp 12 ft. Cablehoz™ Assembly (Euro Kwik)
11h	PM500X-15	2060-2717	450 amp 15 ft. Cablehoz™ Assembly (Euro Kwik)
12	235RSSR	2060-2035	Rear Cable Support
13	PM94	2060-2712	Trigger
14	PM94X	2060-2713	Trigger & Guard Assembly
15	350-174H	2035-2110	Heavy Duty Connector Plug Assembly
16	WM354M	2030-2075	Control Wire Plug
17	PM6RC	2060-2714	Rear Case
18	174EX-1	2040-2276	Euro Kwik™ Rear Connector
19	4M-S	2011-2004	Screw (euro rear connector)
20	X6RC	2060-2006	Rear Case and Strain Relief (euro)
21	174X-2	2040-2177	Connector Nut (euro)

*On Smart Guns only