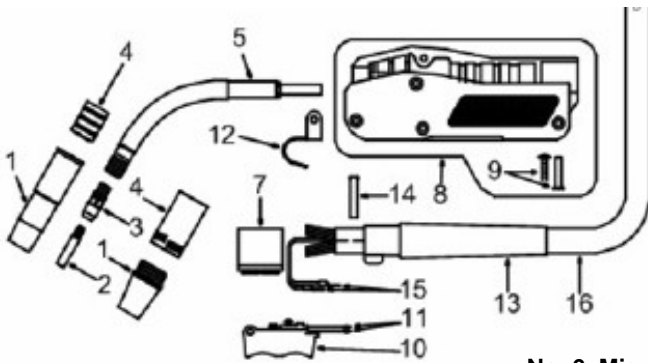
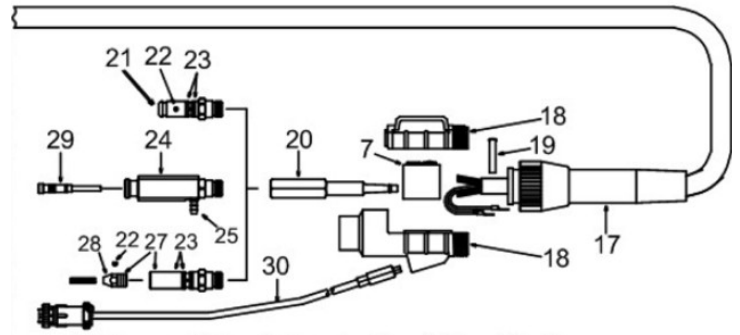


TWECO PROFESSIONAL MIG-GUN REPLACEMENT PARTS



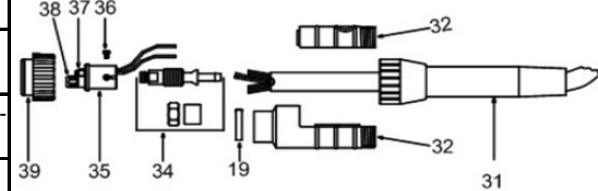
No. 6 Mig Guns



All Tweco, Miller & Lincoln Direct Plug Mig Guns

Description	#6
1 Nozzle Series	26
2 Contact Tip Series	16S
3 Diffuser Series	56
4 Nozzle Insulator Series	36CT
5 Conductor Tube Series	66J
6 Conductor Tube Retaining Nut	n/a
7 Front Power Connector	104 2040-2104
7 Rear Power Connector	104 2040-2104
8 Handle	85 2050-2085
9 Binder Post and Screw	124FM 2040-2124
10 Trigger Assembly	94R 2040-2096
11 Trigger Blades (2 ea)	94C 2040-2093
12 Gun Hanger	154 2040-2154
13 Front Cable Support	145-6 2050-2145
14 Cable Clamp	136 2060-2690
15 Front Control Wire Terminals	244 2040-2244
16 Cablehoz (per ft.)	600S 1760-2100
17 Rear Cable Support	350R-230-10 2035-2235
18 Rear Case	M6RC 2060-2018
19 Cable Clamp	136 2060-2690
20 Heavy Duty Power Adapter	M170-5H 2020-2167
20 Power Cable Adapter	n/a
21 Heavy Duty TWECO Connector Plug	176SH 2060-2177
21 TWECO Connector Plug	176S 2060-2176

Description	#6
22 Set Screw	44C 2040-2044
23 O-Rings	225 2050-2225
24 Heavy Duty Lincoln Connector Plug	EL176LH 2060-2680
24 Lincoln Connector Plug	EL176L 2060-2624
25 Gas Nipple	35-170-5 20002175
27 Heavy Duty Miller Connector Plug	EL176MH 2060-2178
27 Miller Connector Plug	EL176M 2060-2625
28 Miller Connector Plug End Cap	175M-N 2050-2178
29 Liner Series	45
30 Generic Control Wire Plug	AK-354 2642-2400
30 Thermal Arc Control Wire Plug	AK354-TA 2642-2410
30 Lincoln Control Wire Plug	LAK-354 2642-2450
30 Miller Control Wire Plug	MSAK-354 2642-2470
31 Euro Guns Rear Support	350R-230-10 2035-2235
32 Euro Guns Rear Case	X6RC 2060-2006
34 Euro Guns Rear Power Connector	174X-M 2040-2181
35 Euro-Kwik Body Assembly	174EX-1 2040-2276
36 Screw	4M-S 2011-2004
37 O-Ring	174EX-1G 2040-2282
38 Euro Connector Conduit Cap	174EX-1C 2040-2279
39 Euro Connector Nut	174X-2 2040-2177



All Euro-Kwik Mig Guns