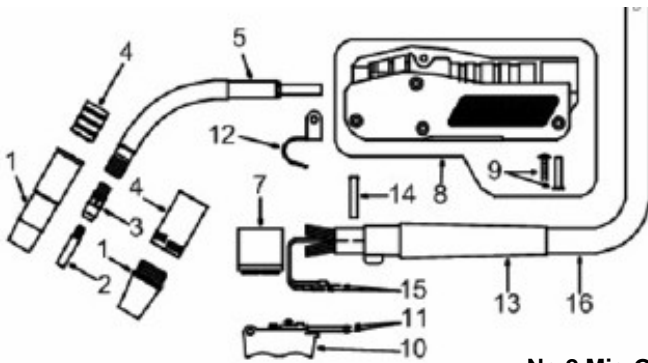
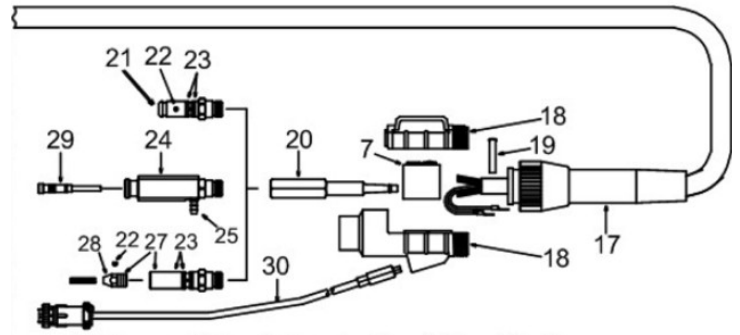


# TWECO PROFESSIONAL MIG-GUN REPLACEMENT PARTS



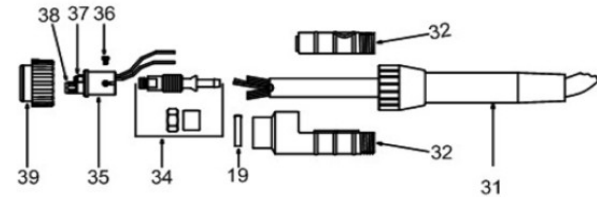
No.2 Mig Guns



All Tweco, Miller & Lincoln Direct Plug Mig Guns

Description	#2
1 Nozzle Series	22
2 Contact Tip Series	14
3 Diffuser Series	52
4 Nozzle Insulator Series	32
5 Conductor Tube Series	62J
6 Conductor Tube Retaining Nut	n/a
7 Front Power Connector	102 2020-2102
7 Rear Power Connector	104 2040-2104
8 Handle	83 2030-2083
9 Binder Post and Screw	122FM 2020-2122
10 Trigger Assembly	92 2020-2092
11 Trigger Blades (2 ea)	92C 2020-2094
12 Gun Hanger	152 2020-2152
13 Front Cable Support	142-6 2020-2142
14 Cable Clamp	136 2060-2690
15 Front Control Wire Terminals	244 2040-2244
16 Cablehoz (per ft.)	200 1720-2100
17 Rear Cable Support	350R-230-10 2035-2235
18 Rear Case	M6RC 2060-2018
19 Cable Clamp	136 2060-2690
20 Heavy Duty Power Adapter	M170-2H 2020-2165
20 Power Cable Adapter	M170-2 2020-2171
21 Heavy Duty TWECO Connector Plug	350-174H 2035-2110
21 TWECO Connector Plug	350-174 2035-2174

Description	#2
22 Set Screw	44C 2040-2044
23 O-Rings	224S 2064-2059
24 Heavy Duty Lincoln Connector Plug	350-174LH 2035-2112
24 Lincoln Connector Plug	174TL-L 2035-2132
25 Gas Nipple	35-170-5 20002175
27 Heavy Duty Miller Connector Plug	350-174MH 2035-2111
27 Miller Connector Plug	174TL-M 2035-2131
28 Miller Connector Plug End Cap	174M-N 2040-2184
29 Liner Series	42
30 Generic Control Wire Plug	AK-354 2642-2400
30 Thermal Arc Control Wire Plug	AK354-TA 2642-2410
30 Lincoln Control Wire Plug	LAK-354 2642-2450
30 Miller Control Wire Plug	MSAK-354 2642-2470
31 Euro Guns Rear Support	350R-230-10 2035-2235
32 Euro Guns Rear Case	X6RC 2060-2006
34 Euro Guns Rear Power Connector	174X-M 2040-2181
35 Euro-Kwik Body Assembly	174EX-1 2040-2276
36 Screw	4M-S 2011-2004
37 O-Ring	174EX-1G 2040-2282
38 Euro Connector Conduit Cap	174EX-1C 2040-2279
39 Euro Connector Nut	174X-2 2040-2177



All Euro-Kwik Mig Guns