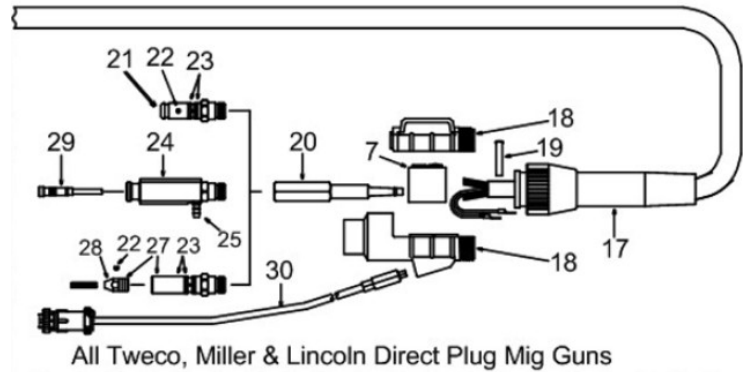
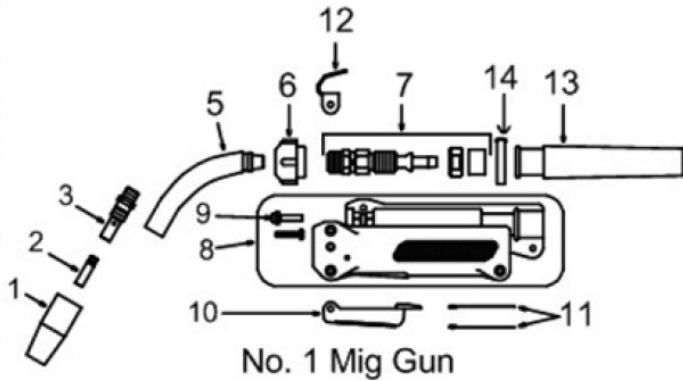


TWECO PROFESSIONAL MIG-GUN REPLACEMENT PARTS



Description	#1	Description	#1
1 Nozzle Series	21	22 Set Screw	44C 2040-2044
2 Contact Tip Series	11	23 O-Rings	224S 2064-2059
3 Diffuser Series	51	24 Heavy Duty Lincoln Connector Plug	350-174LH 2035-2112
4 Nozzle Insulator Series	n/a	24 Lincoln Connector Plug	174TL-L 2035-2132
5 Conductor Tube Series	61	25 Gas Nipple	35-170-5 20002175
6 Conductor Tube Retaining Nut	61R 2010-2061	27 Heavy Duty Miller Connector Plug	350-174MH 2035-2111
7 Front Power Connector	101R 2010-2103	27 Miller Connector Plug	174TL-M 2035-2131
7 Rear Power Connector	104 2040-2104	28 Miller Connector Plug End Cap	174M-N 2040-2184
8 Handle	81 2010-2081	29 Liner Series	42
9 Binder Post and Screw	122FM 2020-2122	30 Generic Control Wire Plug	AK-354 2642-2400
10 Trigger Assembly	91 2010-2091	30 Thermal Arc Control Wire Plug	AK354-TA 2642-2410
11 Trigger Blades (2 ea)	91C 2010-2093	30 Lincoln Control Wire Plug	LAK-354 2642-2450
12 Gun Hanger	152 2020-2152	30 Miller Control Wire Plug	MSAK-354 2642-2470
13 Front Cable Support	141-6 2010-2141	31 Euro Guns Rear Support	350R-230-10 2035-2235
14 Cable Clamp	136 2060-2690	32 Euro Guns Rear Case	X6RC 2060-2006
15 Front Control Wire Terminals	244DS 2040-2245	34 Euro Guns Rear Power Connector	174X-M 2040-2181
16 Cablehoz (per ft.)	200 1720-2100	35 Euro-Kwik Body Assembly	174EX-1 2040-2276
17 Rear Cable Support	350R-230-10 2035-2235	36 Screw	4M-S 2011-2004
18 Rear Case	M6RC 2060-2018	37 O-Ring	174EX-1G 2040-2282
19 Cable Clamp	136 2060-2690	38 Euro Connector Conduit Cap	174EX-1C 2040-2279
20 Heavy Duty Power Adapter	M170-2H 2020-2165	39 Euro Connector Nut	174X-2 2040-2177
20 Power Cable Adapter	M170-2 2020-2171		
21 Heavy Duty TWECO Connector Plug	350-174H 2035-2110		
21 TWECO Connector Plug	350-174 2035-2174		

