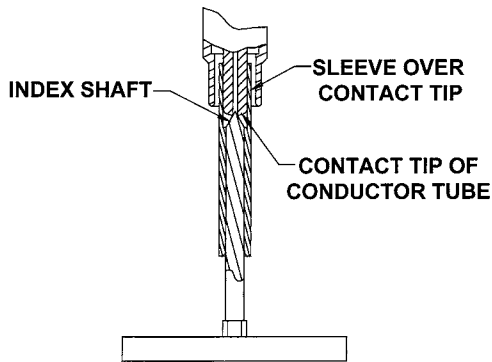


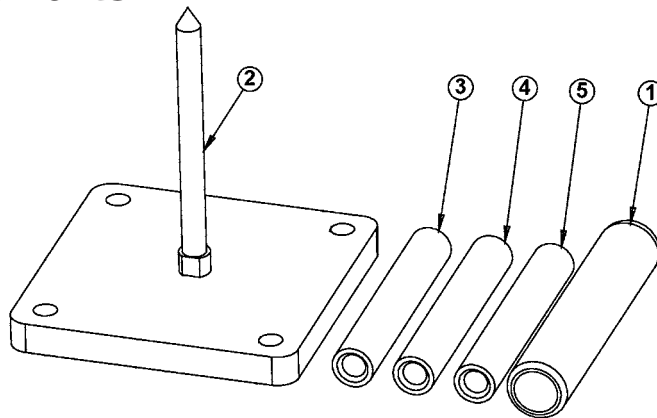
QRP-IN TCP Check Tool Kit (Stock No. 3500-1340)

Tweco® Robotics TCP Check Tool Kit allows you to quickly check TCP. This will ensure torch alignment so you can avoid poor quality welds and lost production time. The kit includes alignment sleeves for all Tweco contact tips.

- Ensures torch alignment.
- Reduces downtime by quickly checking TCP.
- Kit includes three (3) sleeves to accommodate all Tweco contact tips and a protective cover for the shaft.



Replacement Parts



QRP-IN TCP Check Tool

Item No.	Part No.	Stock No.	Description
1	QRP-1	3500-1344	Protective Cover for Index Shaft
2	QRP-2	3500-1345	Index Shaft
3	QRP-EL16	3500-1342	Alignment Sleeve for EL16 Series Contact Tips
4	QRP-14H	3500-1343	Alignment Sleeve for 14H Series Contact Tips
5	QRP-16S	3500-1341	Alignment Sleeve for 16S Series Contact Tips