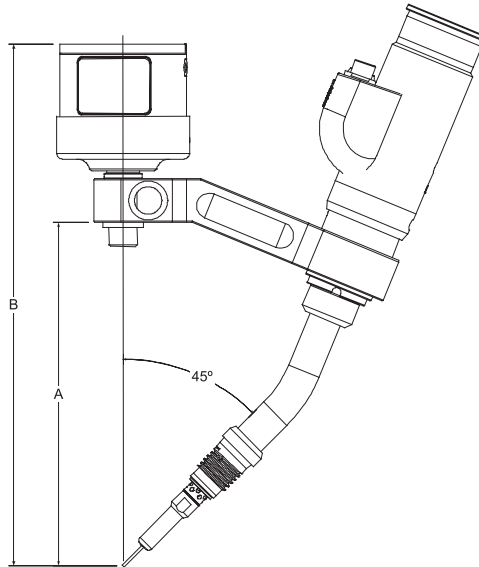


RDM Mount Arms

- RDM mount arms are machined from solid aluminum alloy to provide precision and accuracy.
- RDM mount arms are offered in either fixed and adjustable configurations.
- Nine "fixed" configurations to choose from:
180° - 180L° - 22° - 22L° - 22LW°
45° - 45L° - 60° - 90°
- Three "adjustable" length link arms to choose from:
63mm – 72mm – 100mm



NOTE: Wire stick-out equals 5/8" (15,88mm)

Fixed Mounting Arms

Part No.	Stock No.	Conductor Tube	"A"	"B"
RDM-A-180	3500-1132	QTR, QTRW64/66-45	7.593" (193mm)	11.673" (296mm)
RDM-A-180L	3500-1135	QTR, QTRW64/66-45L	9.055" (258mm)	13.135" (334mm)
RDM-A-22	3500-1130	QTR, QTRW64/66-22	7.877" (200mm)	11.957" (304mm)
RDM-A-22L	3500-1129	QTR66-22L	8.974" (228mm)	13.054" (332mm)
RDM-A-22LW	3500-1122	QTRW64/66-22L	8.545" (217mm)	12.625" (321mm)
RDM-A-45	3500-1131	QTR, QTRW64/66-180	7.995" (203mm)	12.075" (307mm)
RDM-A-45L	3500-1134	QTR, QTRW64/66-180L	8.828" (224mm)	12.908" (328mm)

Arm For 5 Axis Robot

RDM-A-90	3500-1182	RDM Mount to connect to 5 axis Miller® robot
----------	-----------	--

Miller is a registered trademark of Illinois Tool Works, Inc. The afore mentioned registered trademark is in no way affiliated with Tweco Robotics or Thermadyne Industries, Inc. Tweco is a registered trademark of Thermadyne Industries, Inc.