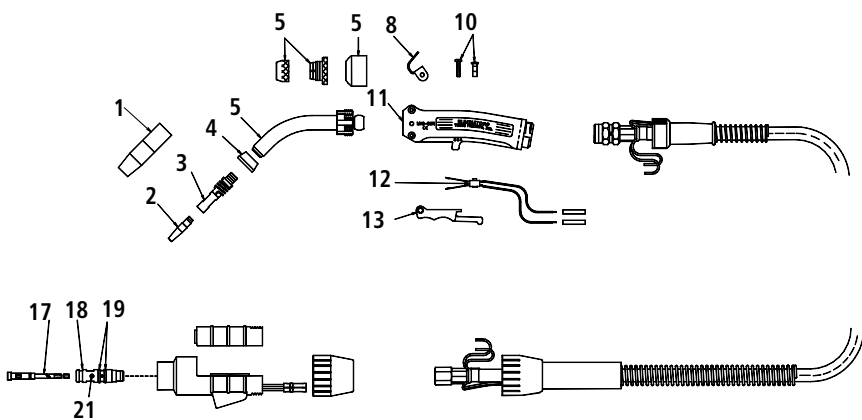


SPARE PARTS

Eliminator® 250 AMPS, 450 AMPS, 600 AMPS



ELIMINATOR® SPARES:

ITEM	DESCRIPTION	PART No
1	Nozzle	Refer Easy Find Page 55
2	Contact Tip	Refer Easy Find Page 52
3	Gas Diffuser	Refer Easy Find Page 51
4	Insulator assembly ELC450 & EL450	64ELJ-3
4	Insulator assembly EL600	66ELJ-3
5	Conductor tubes	Refer Easy Find Page 56
8	Hanger - ELC250 & ELC450	OTW152
10	Binder Post & Screw ELC250 & ELC450	ELC124FM
11	Handle with screws ELC250 & ELC450	ELC84H
11	Handle with screws EL450 & EL600	EL86H
12	Trigger blade assembly - all models	EL96B
13	Trigger ELC250 & ELC450	ELC94
13	Trigger EL600	EL96
17	Conduit Liner	Refer Easy Find Page 57
18	Tweco® connector plug ELC250, ELC450	OTW350174
18	Tweco® connector plug EL600	OTW1765
19	O-ring ELC250 & ELC450	OTW224
19	O-ring EL600	OTW225
21	Set screw	OTW44C