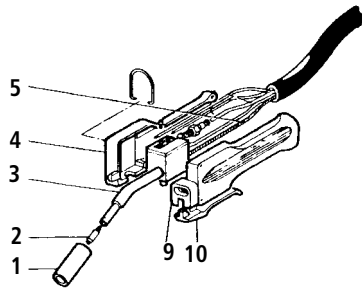


SPARE PARTS

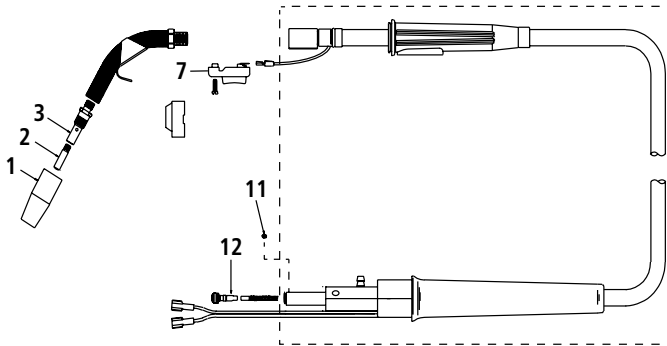
Transmig 130 Twin Gun (OCE8153100)



TRANSMIG 130 TWIN GUN SPARES:

ITEM	DESCRIPTION	PART No	RETAIL PACK PART No
1	Nozzle	OCE1311	OCE1311/R
2	Contact Tip		
	0.6mm	OTW11/23	OTW11/23/R
	0.8mm	OTW11/30	OTW11/30/R
	0.9mm	OTW11/35	OTW11/35/R
3	Complete Push Button Assy	OCE5750517	-
4	R/H Handle	OCE3055612	-
5	Conduit Liner	OCE580017	-
9	L/H Handle	OCE3055613	-
10	Torch Trigger Lever	OCE3120018	-

Transmig 180 Brumby (717579)



BRUMBY, TRANSMIG 180se GUN SPARES:

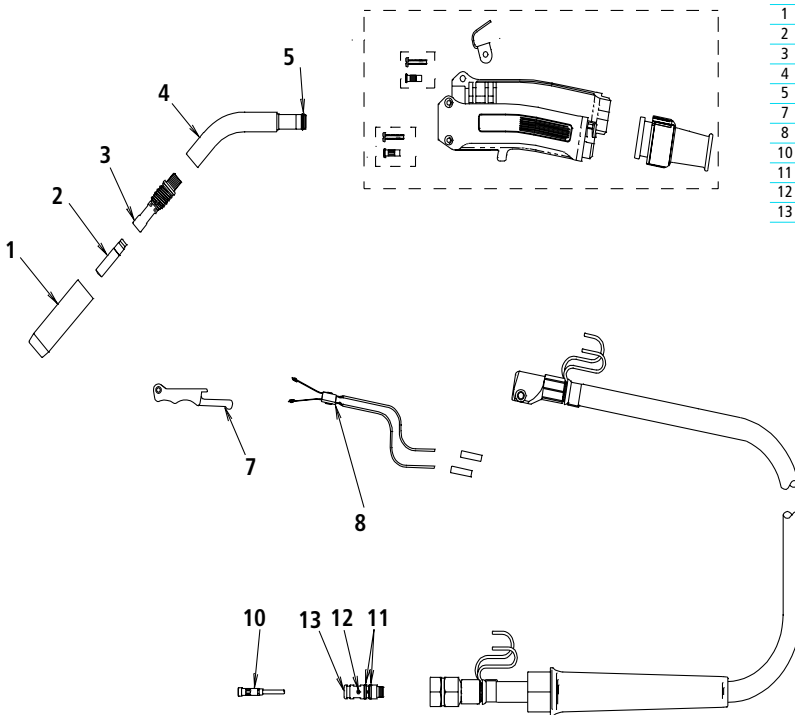
ITEM	DESCRIPTION	PART No	RETAIL PACK PART No
1	Nozzle	EL22150P	-
2	Contact Tip	EL16T35*	EL16T35/R
3	Gas Diffuser	EL52*	EL52/R
7	Trigger Assembly	717523	-
11	Set Screw	OTW44C	-
12	Conduit Assembly	717524	-

HARD ELECTRODE WIRES:

WIRE SIZE	PART No	
0.6-1.0MM	717524*	-
1.2mm	717543	-

\* Supplied Standard

Transmig 210 to 330 Gun (717578)



TRANSMIG 210-330 GUN SPARES:

ITEM	DESCRIPTION	PART No
1	Nozzle	Refer Easy Find Page 55
2	Contact Tip	Refer Easy Find Page 52
3	Gas Diffuser	EL52
4	Conductor Tube	MS6345
5	O-Ring, Gun Handle	OTW45B*
7	Trigger Lever	ELC94
8	Trigger Blades	ELC94B*
10	Conduit liner	OTW42/3035
11	O-Ring, Connector Plug	OTW224
12	Set Screw 8/32 UNC	OTW44C
13	Connector Plug	OTW350174